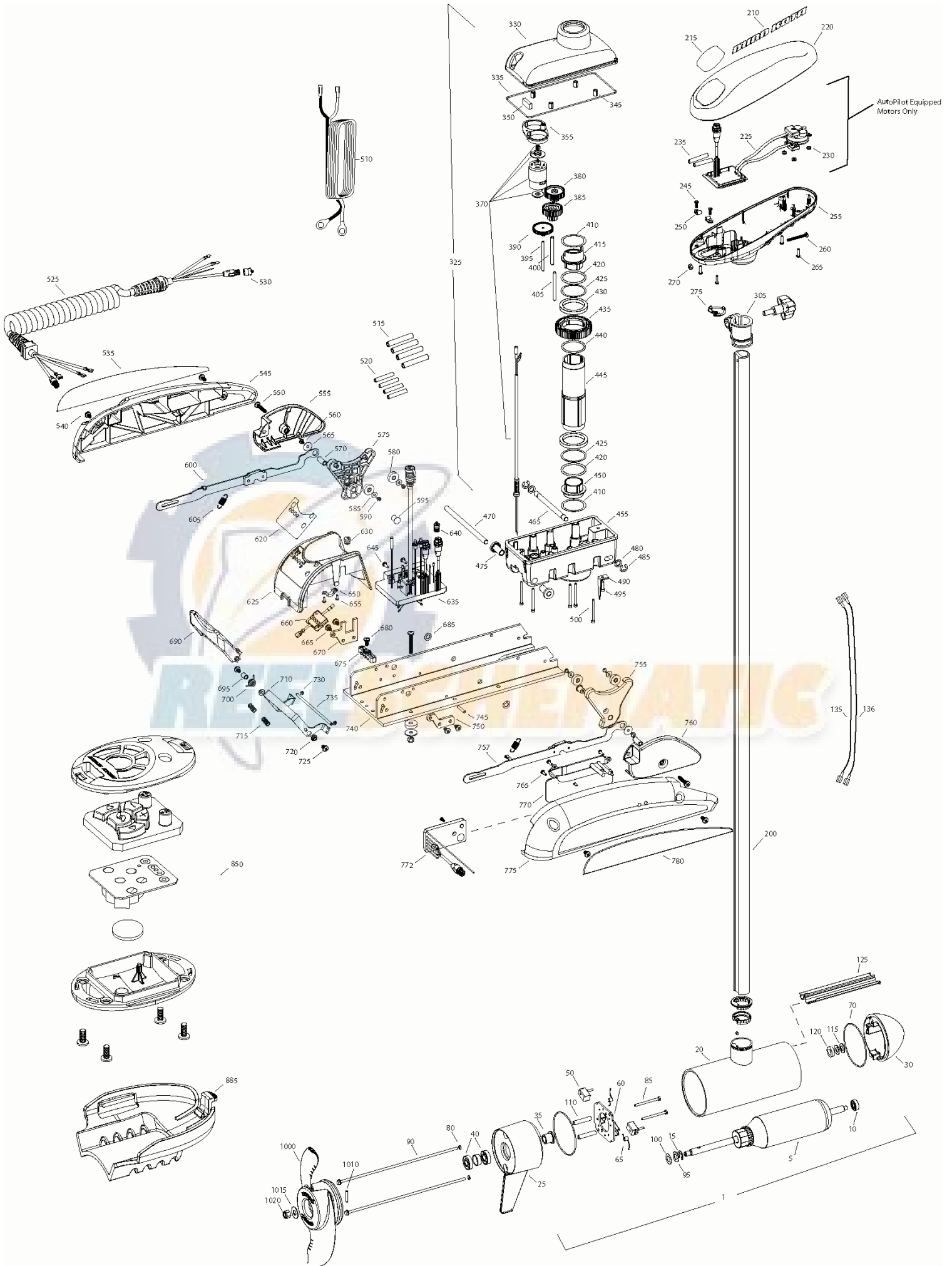


Riptide 101 ST
101 LBS THRUST
36 VOLT 46 AMPS
54" OR 60" SHAFT

for use with "AI" serial numbers
3-year warranty from the date of purchase



	P/N	Description	Qty	Item	P/N	Description	Qty	Item	P/N	Description	Qty
1	2777077	36V Motor 60" SW	1	385	2302250	Gear, cluster 2nd stage	1	675	2321310	Strain relief, wire	1
	2777076	36V Motor 54" SW	1	390	2302245	Gear, cluster 1st stage	1	680	2323405	Screw, 1/4-20 x .5	1
5	92-100-216	Armature assembly	1	395	2302610	Shaft, gear 1st stage	1	685	2333100	Speed nut, .375	2
10	140-010	Bearing	1	400	2302620	Shaft, gear 3rd stage	1	690	2320216	Handle, release cover	1
15	788-040	Retaining ring	1	405	2302615	Shaft, gear 2nd stage	1	695	2301700	Bushing,	1
20		Included in #200 assembly		410	2321704	Washer, thrust	2	700	2322701	Spring, release handle	1
25	2-300-370	Brush end housing assembly	1	415	2321515	Liner, output tube	1	710	2320401	Handle, release SW	1
30	421-376	Plain end housing assembly SW	1	420	2324608	O-ring, 224	2	715	2322712	Spring, release handle	2
35	144-017	Flange bearing	1	425	2321720	Shim, O-ring	2	720	2322604	Bushing, handle	2
40	880-025	Seal	2	430	2327308	Bearing, ball sealed	2	725	2332104	Screw, 1/4-20 x .625	2
50	188-094	Brush	2	435	2322200	Gear, output	1	730	2323000	E-clip, 3/16, SS	2
60	2-600-199	Brush plate assembly	1	440	2324601	O-ring, output gear	1	735	2322607	Pin, follower, handle	1
65	975-041	Brush spring	2	445	2322030	Tube, output machined	1	740	2321902	Base extrusion, machined	1
70	701-043	O-ring, motor	2	450	2321510	Collar, drive, bottom	1	745	2322912	Spring pin,	2
80	701-009	O-ring, thru-bolt	2	455	2326507	Steering housing, Bottom	1	750	2321951	Bracket, sideplate	1
85	830-027	Screw, 10-32 x 2	2	460	2320605	Leadwire, Steering	1	755	2323900	Ramp, 4" right	1
90	830-096	Thru-bolt	2	465	2322601	Pin, latch, SS	1	757	2994201	Arm, release, Right	1
95	990-051	Washer, steel	2	470	2322603	Pin, pivot, SS	1	760	2321920	Skid, right	1
100	990-052	Washer, nylatron	2	475	2327310	Bushing, pivot pin	2	765	2301310	Screw, 8-18 x .5	3
110	973-025	Spacer, brush plate	2	480	2321702	Washer, flat .375	2	770	2370221	Cover, access, SW	1
115	992-010	Washer, Belleville	2	485	2263011	E-ring .375	2	772	2374090	Copilot Receiver Board	1
120	990-045	Spacer, thrust	1	490	2322702	Spring, latch pin	2	775	2321911	Sideplate, right, SW	1
125	582-013	Clip, retaining, short	1	495	2323410	Screw, 8-32 x .75	1	780	2325642	Decal, sideplate, right	1
135	640-025	Leadwire, black	1	500	2323408	Screw, 8-32 x 2	7				
136	640-133	Leadwire, red	1	510	2090651	Leadwire, 10 ga	1	850	2994095	Remote assembly	1
200	2777315	Tube, composite 60" SW	1	525	2991271	Coil cord	1	851		Case, cover, transmitter	1
205		Included in #200 assembly		530	2320202	Cap, dust, coil cord, non-AP only	1	860		Keypad, transmitter	1
210	2325666	Decal, cover	2	535	2325643	Decal, sideplate, left	1	865		Transmitter board	1
215	2325684	Decal, ctrl box 101 RT Autopilot	1	540	2323405	Screw, 1/4-20	4	870		Battery, transmitter	1
220	2320201	Cover, ctrl box	1	545	2321916	Sideplate, left	1	875		Case, bottom, transmitter	1
225	2324030	Ctrl board, compass, Autpilot only	1	550	2263427	Screw, 1/4-20 x 1.25 SS	2	880		Screw, 4-24	4
230	2302960	Grommet, compass, Autopilot only	3	555	2321925	Skid, left	1	885	2371990	Mount, co-Pilot	1
235	2065400	Wire insulator	2	560	2323422	Screw, 10-24 x .375	2				
245	2372100	Screw, 8-18 x .625	3	565	2321700	Washer, #10 SS	2	■	1378132	Propeller kit WW2	
250	2052510	Cable clamp	3	570	2327306	Bushing, pivot	2	■	2994876	Propeller bag assy	
255	2322501	Ctrl box	1	575	2323905	Ramp, 4" left	1	1000	2331160	Propeller WW2	1
260	2332102	Screw, 10-24	1	580	2325117	Pad, rubber rest	4	1010	2262658	Drive pin, large	1
265	2372100	Screw, 8-18 x .625	4	585	2321706	Washer, #8	4	1015	2091701	Washer, prop, large	1
270	2333101	Nut, 10-24	1	590	2323412	Screw, 8-18 x .25	4	1020	2198401	Anode	1
275	2224702	Plug, ctrl box	1	595	2324706	Insert, ramp	2				
305	2771500	Depth collar	1	600	2994203	Arm, release, left	1	■	2994864	Mounting hardware bag assy	
315		Included in #305 assembly		605	2322710	Spring, extension	2				
320		Included in #305 assembly		■	2770251	Cover, speed control with decal	1				
325	2997026	Steering housing	1	620	2325651	Decal, speed control	1				
330	2326502	Steering housing top	1	625	2320211	Cover, speed control	1				
335	2324604	O-ring, case seal	1	630	2322901	Strain relief	1				
345	2305605	Roll pin 5/16	4	635	2324012	Control board, 24-36v	1				
350	2308601	Breather, filter	1	640	2320203	Cap, dust, control board	1				
355	2328610	Cradle, motor	1	645	2323406	Screw, 10-24 x	2				
360	2302240	Pinion gear	1	650	2321315	Holder, connector	1				
365	2300265	Cap, motor, plastic	1	655	2332103	Screw, 6-20 x .375	2				
370	2777025	Motor, steering, 36V	1	660	2074082	Battery meter, 36v	1				
				665	2323402	Screw, 1/4-20 x .375	4				
380	2302255	Gear, cluster 3rd stage	1	670	2321941	Bracket, strain relief	1				

Seal & Oring Kit p/n 2889460

* This item is part of an assembly. This item cannot be sold separately due to machining and /or assembly that is required.

P/N 2324942

REV. K 11-07

RT 101 ST is 36-volts only!

